



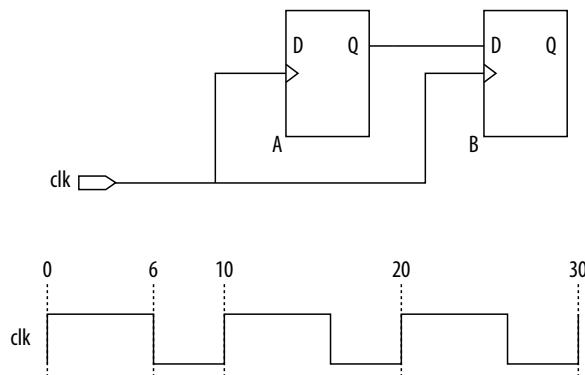
This manual contains a collection of design scenarios, constraint guidelines, and recommendations. You must be familiar with the Timing Analyzer and the basics of Synopsys* Design Constraints (SDC) to properly apply these guidelines.

Clocks and Generated Clocks

Basic Non-50/50 Duty Cycle Clock

The duty cycle of a clock can vary from design to design. The default duty cycle for clocks created in the Timing Analyzer is 50/50. However, you can change the duty cycle of a clock with the `-waveform` option.

Figure 1: Simple Register-to-Register Path with a 60/40 Duty Cycle Clock



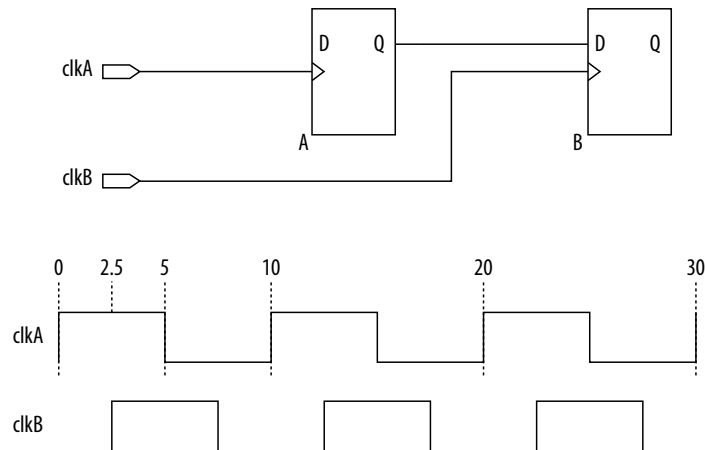
Example 1: 60/40 Duty Cycle Clock Constraint

```
#60/40 duty cycle clock
create_clock \
  -period 10.000 \
  -waveform {0.000 6.000} \
  -name clk6040 [get_ports {clk}]
```

Offset Clocks

When you constrain clocks in the Timing Analyzer, the first rising or falling edge of a clock occurs at an absolute 0 by default. You can create an offset for the clock with the `-waveform` option.

Figure 2: Simple Register-to-Register Path Clocked by clkB



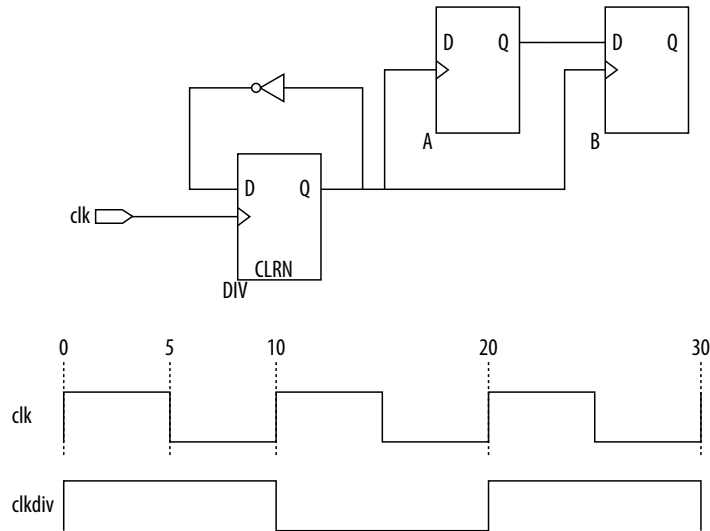
Example 2: Offset Clock Constraints

```
# -waveform defaults to 50/50 duty cycle
create_clock -period 10.000 \
  -name clkA \
  [get_ports {clkA}]
#create a clock with a 2.5 ns offset
create_clock -period 10.000 \
  -waveform {2.500 7.500} \
  -name clkB [get_ports {clkB}]
```

Basic Clock Divider Using -divide_by

You can derive clocks in a design from a clock source when the derived clock is slower than the source clock. When constraining a slower clock derived from a clock source, use the `-divide_by` option.

Figure 3: Divide-by-Two Derived Clock



Example 3: Divide-by with -waveform Clock Constraints

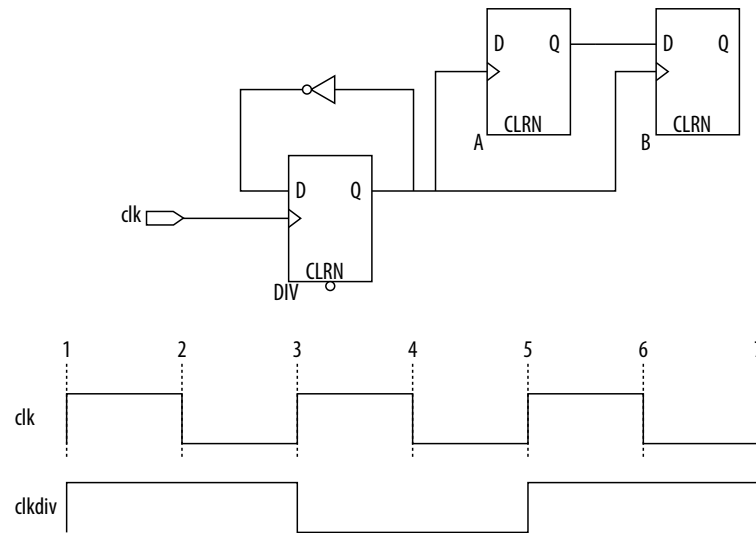
```

create_clock -period 10.000 -name clk [get_ports {clk}]
# Using -divide_by option
create_generated_clock \
  -divide_by 2 \
  -source [get_ports {clk}] \
  -name clkdiv \
  [get_pins {DIV|q}]
# Alternatively use pins to constrain the divider without
# knowing about the original source
create_generated_clock \
  -divide_by 2 \
  -source [get_pins {DIV|clk}] \
  -name clkdiv \
  [get_pins {DIV|q}]
# the second option works since the
# clock pin of the register DIV is
# connected to the same net fed by the
# clock port clk

```

You can also create a divide-by clock with the `-edges` option which allows you to specify the rising, falling, and next rising edge for a clock.

Figure 4: Divide-by- Two Clock with the -edges Option



Example 4: Divide-by with -waveform Clock Constraints

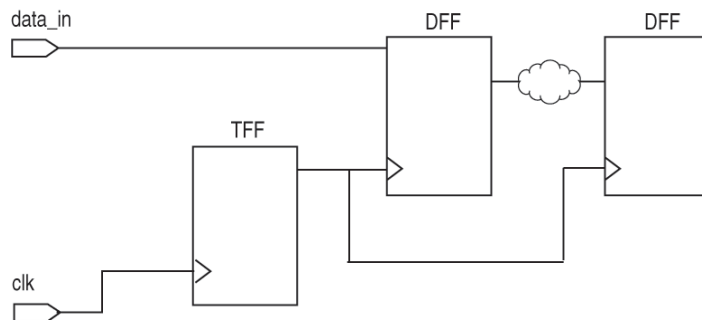
```
# Edge numbers are based on the master clock
create_generated_clock \
  -edges {1 3 5} \
  -source [get_pins {DIV|clk}] \
  -name clkdiv \
  [get_pins {DIV|q}]
```

Toggle Register Generated Clock

Use a toggle register to create a divide-by-two clock. If the data feeding the toggle register is at a logical “1” value and fed by a 10 ns period clock, the output of the register is a clock with a period of 20 ns.

The constraints for the toggle register clock is very similar to the previous example.

Figure 5: Toggle Register Generating a Divide-by-Two Clock



Example 5: Toggle Register Constraints

```
# Create a base clock
create_clock \
  -period 10.000 \
  -name clk \
  [get_ports {clk}]
# Create the generated clock on the output
# of the toggle register.
create_generated_clock \
  -name tff_clk \
  -source [get_ports {clk}] \
  -divide_by 2 \
  [get_pins {tff|q}]
```

PLL Clocks

This section describes examples of the `derive_pll_clocks`, `create_clock`, and `create_generated_clock` constraints.

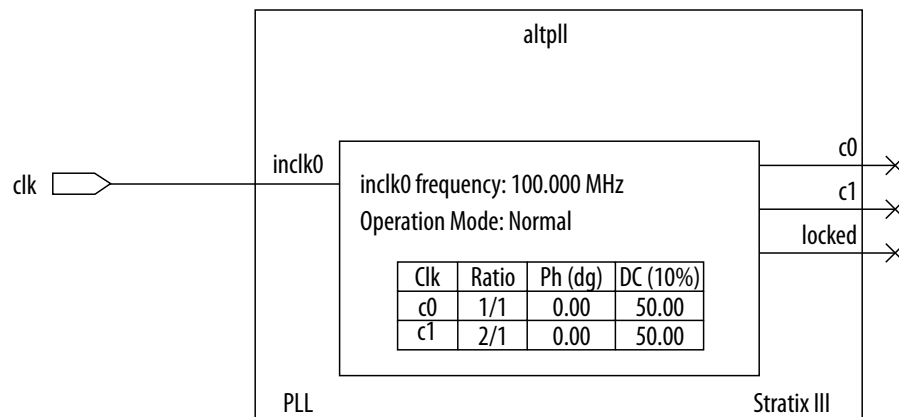
Phase-locked loops (PLLs) are used to perform clock synthesis in Intel® FPGAs. Constrain all output clocks for the proper analysis. The ALTPLL IP core incorporates PLL circuits in Intel FPGAs into your design.

You can constrain a PLL with the following methods:

- Create base clocks and PLL output clocks automatically
- Create base clocks manually and PLL output clocks automatically
- Create base clocks manually and PLL output clocks manually

This section shows the advantages for each method.

Figure 6: ALTPLL IP core



Method 1 – Create Base Clocks and PLL Output Clocks Automatically

This method allows you to automatically constrain the input and output clocks of the PLL. All PLL parameters specified in the ALTPLL IP core constrain the input and output clocks of the PLL. You do not need to track changes to the PLL parameters or specify the correct value when creating the PLL's input and output clocks. The ALTPLL IP core automatically updates any modification.

To automatically constrain all inputs and outputs, use the `derive_pll_clocks` command with the `-create_base_clocks` option. The Timing Analyzer determines the correct settings based on the IP Catalog instantiation of the PLL.

Example 6: Constraining PLL Base Clocks Automatically

```
derive_pll_clocks -create_base_clocks
```

Method 2 – Create Base Clocks Manually and PLL Output Clocks Automatically

With this method, you can manually constrain the input clock of the PLL and allow the Timing Analyzer to automatically constrain the output clocks of the PLL. In addition, you can specify a different input clock frequency instead of the input clock frequency specified in the ALTPLL IP core. The ALTPLL IP core automatically creates PLL output clocks with the specified parameters. You can try different input clock frequencies, while keeping the same PLL output clock parameters.

Note: Ensure that any input clock frequency specified is compatible with the currently configured PLL.

You can use this method with the `derive_pll_clocks` command and manually create the input clock for the PLL.

Example 7: Constraining PLL Base Clocks Manually

```
create_clock -period 10.000 -name clk [get_ports {clk}]
derive_pll_clocks
```

Method 3 – Create Base Clocks and PLL Output Clocks Manually

With this method, you can manually constrain the input clock and output clocks of the PLL. All PLL parameters are specified and parameter values can differ from those specified in the ALTPLL IP core. In addition, you can experiment with various PLL input and output frequencies and parameters.

You can use this method with a combination of the `create_clock` and `create_generate_clock` commands.

Example 8: Constraining PLL Output and Base Clocks Manually

```
create_clock -period 10.000 -name clk [get_ports {clk}]
create_generated_clock \
  -name PLL_C0 \
  -source [get_pins {PLL|altpll_component|pll|inclnk[0]}] \
  [get_pins {PLL|altpll_component|pll|clk[0]}]
create_generated_clock \
  -name PLL_C1 \
  -multiply_by 2 \
  -source [get_pins {PLL|altpll_component|pll|inclnk[0]}] \
  [get_pins {PLL|altpll_component|pll|clk[1]}]
```

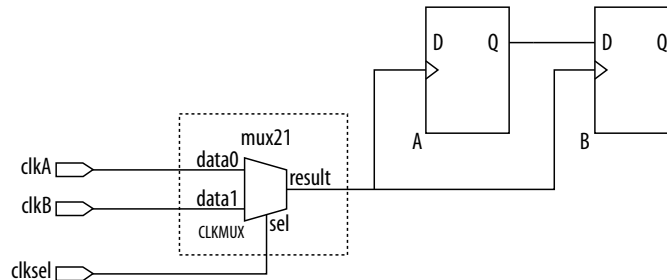
Multi-Frequency Analysis

Some designs require multiple clocks driving into the FPGA, where one clock might be faster or slower than the other.

Clock Multiplexing

With clock multiplexing, you can select from two or more clocks with the `create_clock` and `set_clock_groups` constraints.

Figure 7: Constraints for a Typical 2:1 Clock Multiplexer



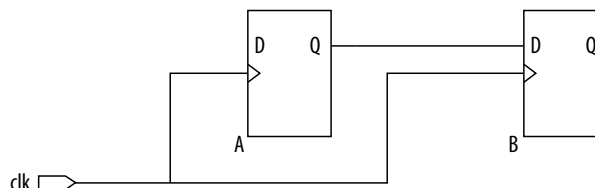
Example 9: Clock Multiplexer Constraints

```
#Create the first input clock clkA to the mux
create_clock -period 10.000 -name clkA [get_ports {clkA}]
#Create the second input clock clkB to the mux
create_clock -period 20.000 -name clkB [get_ports {clkB}]
#Cut paths between clkA and clkB
set_clock_groups -exclusive -group {clkA} -group {clkB}
```

Externally Switched Clock

Through an external multiplexer or jumper setting, digital systems are capable of providing different clock frequencies to the same clock port. The Timing Analyzer can model this behavior with the `create_clock` constraint and the `-add` option. The following figure shows a simple register-to-register path where you can drive the clock port clock with a 100-MHz clock or a 50-MHz clock.

Figure 8: Simple Register-to-Register Design



Example 10: Externally Switched Clock Constraints

```
# The clk port can be driven at 100MHz (10ns) or
# 50MHz (20ns)
# clkA is 10ns
create_clock \
    -period 10.000 \
```

```

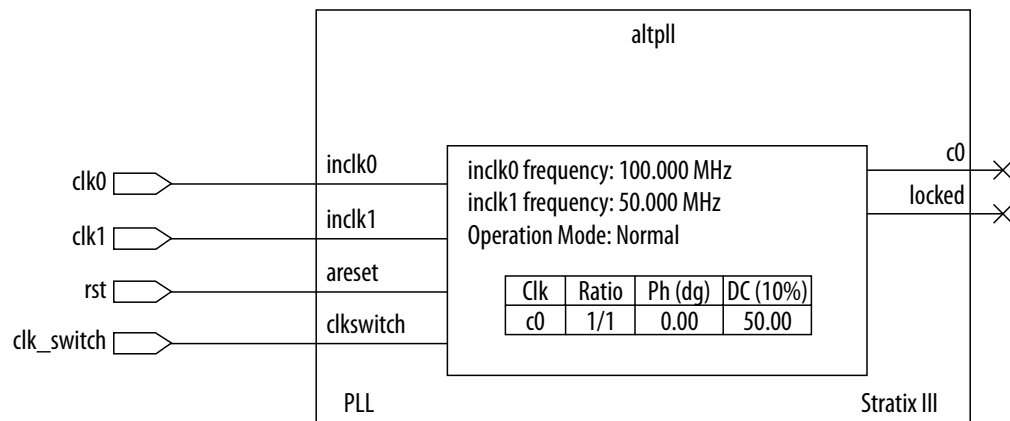
-name clkA \
  [get_ports {clk}]
# clkB is 20ns assigned to the same port
# Requires -add option
create_clock \
  -period 20.000 \
  -name clkB \
  [get_ports {clk}] \
  -add
set_clock_groups \
  -exclusive \
  -group {clkA} \
  -group {clkB}

```

PLL Clock Switchover

The PLL can select between two possible input clocks with the PLL clock switchover feature in Intel FPGAs.

Figure 9: PLL Clock Switchover



Example 11: PLL Clock Switchover Constraints

```

#create a 10ns clock for clock port clk0
create_clock \
  -period 10.000 \
  -name clk0 \
  [get_ports {clk0}]
#create a 20ns clock for clock port clk1
create_clock \
  -period 20.000 \
  -name clk1 \
  [get_ports {clk1}]
#automatically create clocks for the PLL output clocks
#derive_pll_clocks automatically makes the proper
#clock assignments for clock-switchover
derive_pll_clocks
set_clock_groups \
  -exclusive \
  -group {clk0} \
  -group {clk1}

```

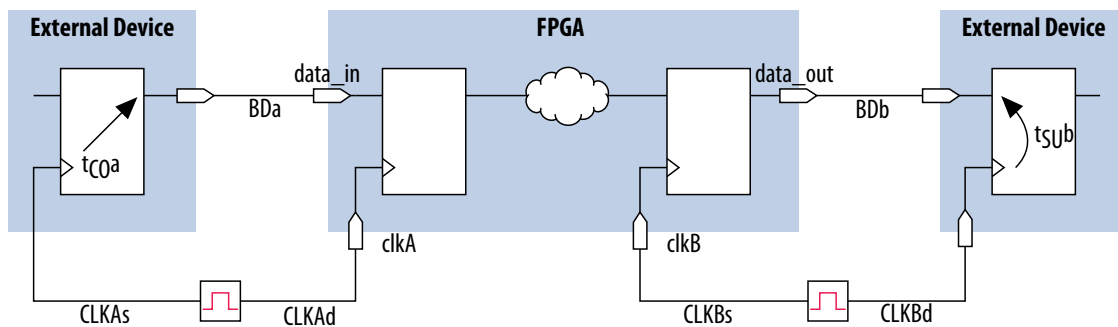

I/O Constraints

Input and Output Delays with Virtual Clocks

All input and output delays should reference a virtual clock. With that virtual clock, the Timing Analyzer can derive and apply the correct clock uncertainty values when you use the `derive_clock_uncertainty` command. If the input and output delays reference base clocks or PLL clocks rather than virtual clocks, the intra- and inter-clock transfer clock uncertainties, determined by `derive_clock_uncertainty`, are incorrectly applied to the I/O ports. Also, with virtual clocks, additional external clock uncertainties can be applied independent of the clock uncertainties determined by `derive_clock_uncertainty`.

The properties of the virtual clock must be identical to the original clock used to clock either the input (input delay) or output (output delay) ports.

Figure 10: Chip-to-Chip Design with Virtual Clocks as Input/Output Ports



Example 12: Input and Output Delays Referencing a Virtual Clock

```
#create the input clock
create_clock -name clkA -period 10 [get_ports clkA]
#create the associated virtual input clock
create_clock -name clkA_virt -period 10
#create the output clock
create_clock -name clkB -period 5 [get_ports clkB]
#create the associated virtual input clock
create_clock -name clkB_virt -period 5
#determine internal clock uncertainties
derive_clock_uncertainty
#create the input delay referencing the virtual clock
#specify the maximum external clock delay from the external
#device
set CLKAs_max 0.200
#specify the minimum external clock delay from the external
#device
set CLKAs_min 0.100
#specify the maximum external clock delay to the FPGA
set CLKAd_max 0.200
#specify the minimum external clock delay to the FPGA
set CLKAd_min 0.100
#specify the maximum clock-to-out of the external device
set tCOa_max 0.525
#specify the minimum clock-to-out of the external device
set tCOa_min 0.415
#specify the maximum board delay
```

```

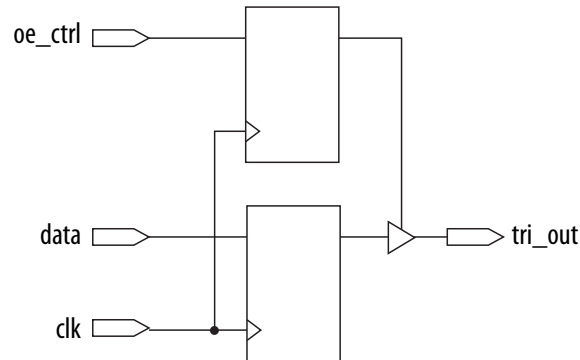
set BDa_max 0.180
#specify the minimum board delay
set BDa_min 0.120
#create the input maximum delay for the data input to the
#FPGA that accounts for all delays specified
set_input_delay -clock clkA_virt \
-max [expr $CLKAs_max + $tCOa_max + $BDa_max - $CLKAd_min] \
[get_ports {data_in[*]}]
#create the input minimum delay for the data input to the
#FPGA that accounts for all delays specified
set_input_delay -clock clkA_virt \
-min [expr $CLKAs_min + $tCOa_min + $BDa_min - $CLKAd_max] \
[get_ports {data_in[*]}]
#creating the output delay referencing the virtual clock
#specify the maximum external clock delay to the FPGA
set CLKBs_max 0.100
#specify the minimum external clock delay to the FPGA
set CLKBs_min 0.050
#specify the maximum external clock delay to the external device
set CLKBd_max 0.100
#specify the minimum external clock delay to the external device
set CLKBd_min 0.050
#specify the maximum setup time of the external device
set tSUb 0.500
#specify the hold time of the external device
set tHb 0.400
#specify the maximum board delay
set BDb_max 0.100
#specify the minimum board delay
set BDb_min 0.080
#create the output maximum delay for the data output from the
#FPGA that accounts for all delays specified
set_output_delay -clock clkB_virt \
-max [expr $CLKBs_max + $tSUb + $BDb_max - $CLKBd_min] \
[get_ports {data_out}]
#create the output minimum delay for the data output from the
#FPGA that accounts for all delays specified
set_output_delay -clock clkB_virt \
-min [expr $CLKBs_min - $tHb + $BDb_min - $CLKBd_max] \
[get_ports {data_out}]

```

Tri-State Outputs

Tri-state outputs allow either a valid data signal or a high impedance signal to be driven out of an output or I/O port. The timing of either signal is important in the overall system timing of the design.

The timing constraints for tri-state outputs are identical to regular output ports.

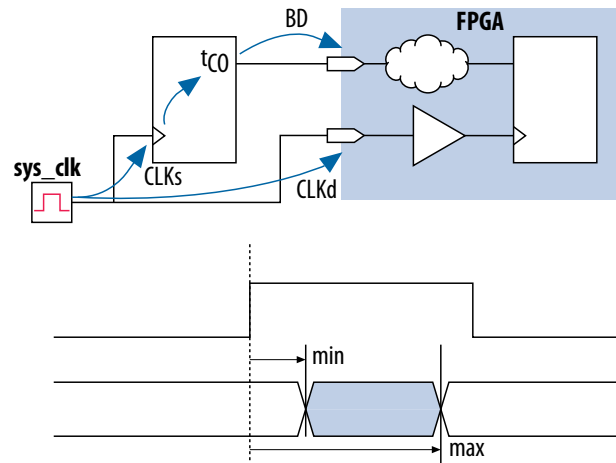
Figure 11: Typical Output Fed by a Tri-State Buffer**Example 13: Tri-State Output Port Constraints**

```
# Base clock
create_clock [get_ports {clk}] \
    -name {clk} \
    -period 10.0 \
    -waveform {0.0 5.0}
# Virtual clock for the output port
create_clock \
    -name {clk_virt} \
    -period 10.0 \
    -waveform {0.0 5.0}
# Output constraints
set_output_delay 2.0 \
    -max \
    -clock [get_clocks {clk_virt}] \
    [get_ports {tri_out}]
set_output_delay 1.0 \
    -min \
    -clock [get_clocks {clk_virt}] \
    [get_ports {tri_out}]
```

System Synchronous Input

The following figure shows a typical chip-to-chip input interface and the various parameters necessary to specify an input delay for the interface.

Figure 12: Simple Chip-to-Chip Input Interface



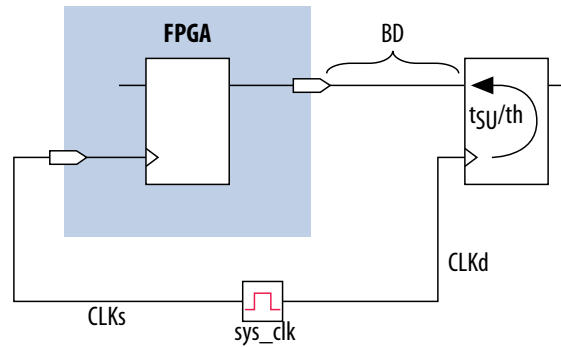
Example 14: System Synchronous Input Constraints

```
#specify the maximum external clock delay from the external device
set CLKs_max 0.200
#specify the minimum external clock delay from the external device
set CLKs_min 0.100
#specify the maximum external clock delay to the FPGA
set CLKd_max 0.200
#specify the minimum external clock delay to the FPGA
set CLKd_min 0.100
#specify the maximum clock-to-out of the external device
set tCO_max 0.525
#specify the minimum clock-to-out of the external device
set tCO_min 0.415
#specify the maximum board delay
set BD_max 0.180
#specify the minimum board delay
set BD_min 0.120
#create a clock 10ns
create_clock -period 10 -name sys_clk [get_ports sys_clk]
#create the associated virtual input clock
create_clock -period 10 -name virt_sys_clk
#create the input maximum delay for the data input to the FPGA that
#accounts for all delays specified
set_input_delay -clock virt_sys_clk \
  -max [expr $CLKs_max + $tCO_max + $BD_max - $CLKd_min] \
  [get_ports {data_in[*]}]
#create the input minimum delay for the data input to the FPGA that
#accounts for all delays specified
set_input_delay -clock virt_sys_clk \
  -min [expr $CLKs_min + $tCO_min + $BD_min - $CLKd_max] \
  [get_ports {data_in[*]}]
```

System Synchronous Output

The following figure shows a typical chip-to-chip output interface and the various parameters necessary to specify an output delay for the interface.

Figure 13: Simple Chip-to-Chip Interface



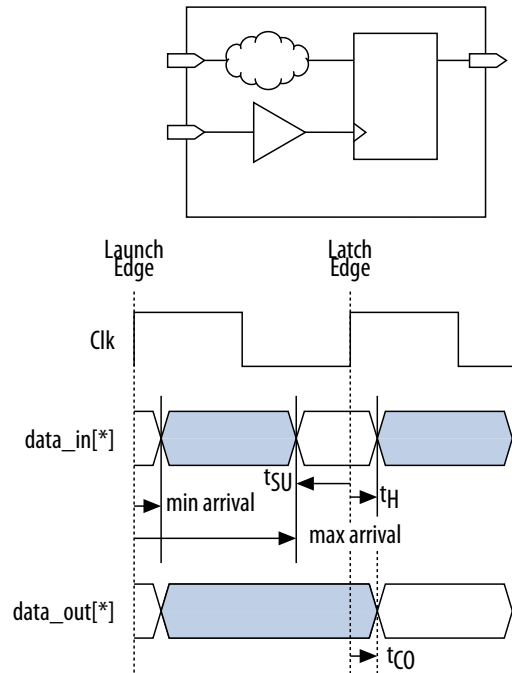
Example 15: System Synchronous Output Constraints

```
#specify the maximum external clock delay to the FPGA
set CLKs_max 0.200
#specify the minimum external clock delay to the FPGA
set CLKs_min 0.100
#specify the maximum external clock delay to the external device
set CLKd_max 0.200
#specify the minimum external clock delay to the external device
set CLKd_min 0.100
#specify the maximum setup time of the external device
set tSU 0.125
#specify the minimum setup time of the external device
set tH 0.100
#specify the maximum board delay
set BD_max 0.180
#specify the minimum board delay
set BD_min 0.120
#create a clock 10ns
create_clock -period 10 -name sys_clk [get_ports sys_clk]
#create the associated virtual input clock
create_clock -period 10 -name virt_sys_clk
#create the output maximum delay for the data output from the FPGA that
#accounts for all delays specified
set_output_delay -clock virt_sys_clk \
  -max [expr $CLKs_max + $BD_max + $tSU - $CLKd_min] \
  [get_ports {data_out[*]}]
#create the output minimum delay for the data output from the FPGA that
#accounts for all delays specified
set_output_delay -clock virt_sys_clk \
  -min [expr $CLKs_min + $BD_min - $tH - $CLKd_max] \
  [get_ports {data_out[*]}]
```

I/O Timing Requirements (t_{SU} , t_H , and t_{CO})

The following example shows how to specify t_{SU} and t_H using `set_input_delay`, and how to specify t_{CO} using `set_output_delay`.

Figure 14: I/O Timing Specifications

Example 16: t_{SU} , t_H , and t_{CO} Constraints

```

#Specify the clock period
set period 10.000
#Specify the required tSU
set tSU 1.250
#Specify the required tH
set tH 0.750
#Specify the required tCO
set tCO 0.4
#create a clock 10ns
create_clock -period $period -name clk [get_ports sys_clk]
#create the associated virtual input clock
create_clock -period $period -name virt_clk
set_input_delay -clock virt_clk \
  -max [expr $period - $tSU] \
  [get_ports {data_in[*]}]
set_input_delay -clock virt_clk \
  -min $tH \
  [get_ports {data_in[*]}]
set_output_delay -clock virt_clk \
  -max [expr $period - $tCO] \
  [get_ports {data_out[*]}]
set_output_delay -clock virt_clk \
  -min [expr -1*$tco_min] \
  [get_ports {data_out [*]}]

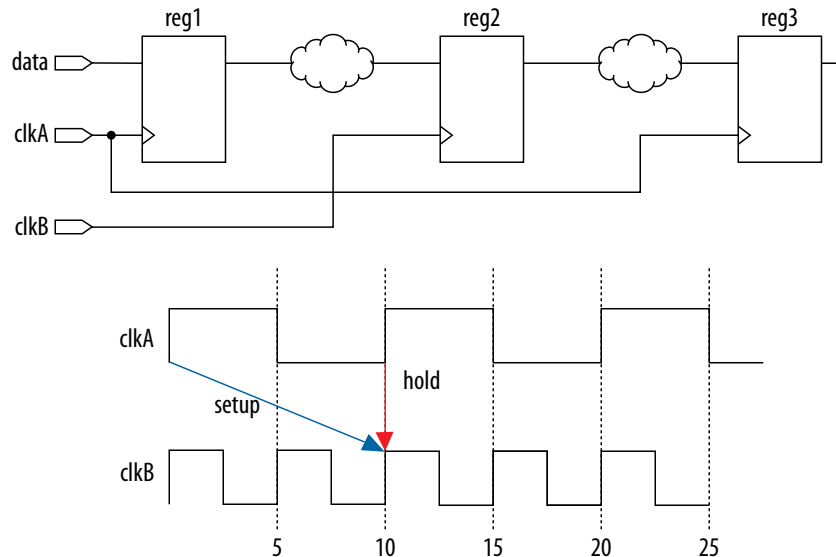
```

Exceptions

Multicycle Exceptions

By default, the Timing Analyzer uses a single-cycle analysis to determine both the setup and hold relationship of any register-to-register path. This results in the most restrictive setup and hold requirements. However, multicycle exceptions can be used to relax the setup or hold relationship of any register-to-register path.

Figure 15: Register-to-Register Path



You can apply multicycles to clock-to-clock transfers or to individual registers. Applying multicycles to clock-to-clock transfers affects all the specified setup or hold relationships of the target clocks of register-to-register paths fed by the source and destination clocks.

Example 17: Multicycle Clock-to-Clock

```
create_clock -period 10 [get_ports clkA]
create_clock -period 5 [get_ports clkB]
set_multicycle_path -from [get_clocks {clkA}] -to [get_clocks {clkB}] -setup
-end 2
```

In the Multicycle Clock-to-Clock example, the setup relationship is relaxed by an additional destination clock period for any register-to-register path where the source clock is `clkA` and the destination clock is `clkB`. This results in registers `reg1` and `reg2` having a setup relationship of 12.5 ns instead of the default 5 ns. The setup relationship between registers `reg2` and `reg3` is not affected by the multicycle.

Applying multicycles to individual registers affects only the specified registers setup or hold relationship.

In the Multicycle Register-to-Register example in the figure above, the setup relationship is relaxed by an additional destination clock period for the register-to-register path from register `reg1` to register `reg2`.

This results in registers `reg1` and `reg2` having a setup relationship of 10 ns instead of the default 5 ns. The setup relationship between registers `reg2` and `reg3` is not affected by the multicyle.

Example 18: Multicycle Register-to-Register

```
create_clock -period 10 [get_ports clkA]
create_clock -period 5 [get_ports clkB]
set_multicycle_path -from [get_pins {reg1|q}] -to [get_pins {reg2|d}] -setup
-end 2
```

Related Information

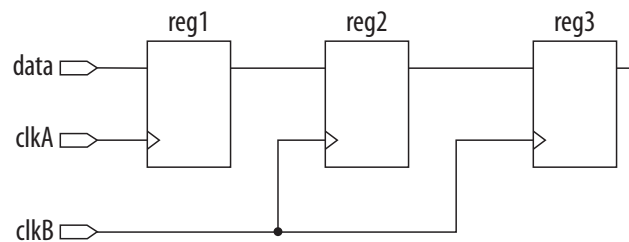
The Intel Quartus® Prime Timing Analyzer

For more information about the types of multicyle exceptions available in the Timing Analyzer.

False Paths

You do not need to analyze timing on all paths. Synchronization of non-critical paths can be removed or cut from timing analysis. When you declare non-critical paths, the Intel Quartus® Prime Fitter can focus on the optimization of critical paths and can reduce overall compilation time.

Figure 16: Register-to-Register Cut Path



False paths can be applied either to clock-to-clock transfers or to individual registers. Applying false paths to clock-to-clock transfers cuts all paths between the target clocks.

In the False Path Clock-to-Clock example, the path is cut and not analyzed by the Timing Analyzer for any register-to-register path where the source clock is `clkA` and the destination clock is `clkB`. This does not affect register-to-register paths where the source register is clocked by `clkB` and the destination register is clocked by `clkA`.

Note: The `set_false_path` command cuts paths from clock `clkA` to `clkB`. The command does not cut paths from `clkB` to `clkA`. To cut paths from `clkB` to `clkA`, you must apply an additional `set_false_path` command (for example, `set_false_path -from clkB -to clkA`). Alternatively, you can use `set_clock_groups` to cut paths from `clkA` to `clkB` and from `clkB` to `clkA` with one command.

Applying false paths to individual registers cuts only the path specified.

Example 19: False Path Clock-to-Clock

```
create_clock -period 12 [get_ports clkA]
create_clock -period 5 [get_ports clkB]
set_false_path -from [get_clocks {clkA}] -to [get_clocks {clkB}]
```

In the False Path Register-to-Register example, the register-to-register path from register `reg1` to register `reg2` is cut. All other paths remain unaffected.

Example 20: False Path Register-to-Register

```
create_clock -period 10 [get_ports clkA]
create_clock -period 5 [get_ports clkB]
set_false_path -from [get_pins {reg1|q}] -to [get_pins {reg2|d}]
```

Related Information

[Set Clock Groups Dialog Box \(set_clock_groups\)](#)

For more information about the `set_clock_groups` command in Intel Quartus Prime Help.

Miscellaneous

JTAG Signals

Many in-system debugging tools use the JTAG interface in Intel FPGAs.

When you debug your design with the JTAG interface, the JTAG signals `TCK`, `TMS`, `TDI`, and `TDO` are implemented as part of the design. Because of this, the Timing Analyzer flags these signals as unconstrained when an unconstrained path report is generated.

Table 1: JTAG Signals That Might Appear as Unconstrained

Signal Name	Description
<code>altera_reserved_tck</code> ^{(1) (2)}	JTAG test clock input port
<code>altera_reserved_tms</code> ⁽²⁾	JTAG test mode select input port
<code>altera_reserved_tdi</code> ⁽²⁾	JTAG test data input line input port
<code>altera_reserved_tdo</code> ⁽²⁾	JTAG test data output line output port

⁽¹⁾ Constrained under Intel Quartus Prime Standard Edition by default.

⁽²⁾ Unconstrained under Intel Quartus Prime Pro Edition unless you use a variation of the SDC example contained in the JTAG Signal Constraints template.

You can constrain the JTAG signals by applying the following SDC commands:

Example 21: JTAG Signal Constraints

```
# Search "---customize here---" for the few decisions you need to make
#
# By default, the most challenging timing spec is applied to work in
# many JTAG chain setup situations

set_time_format -unit ns -decimal_places 3

# This is the main entry point called at the end of this SDC file.
proc set_jtag_timing_constraints { } {
    # If the timing characteristic outside of FPGA is well understood, and
    # there is a need to provide more slack to allow flexible placement of
    # JTAG logic in the FPGA core, use the timing constraints for both
    # timing analysis and fitter; otherwise, use the default fitter timing
    # constraints.

    # ---customize here---
    set use_fitter_specific_constraint 1

    if { $use_fitter_specific_constraint && [string equal quartus_fit
$:TimeQuestInfo(nameofexecutable)] } {
        # Define a different set of timing spec to influence place-and-route
        # result in the jtag clock domain. The slacks outside of FPGA are
        # maximized.

        set_default_quartus_fit_timing_directive
    } else {
        # Define a set of timing constraints that describe the JTAG paths
        # for the Timing Analyzer to analyze. The Timing Analyzer timing
reports show whether
        # the JTAG logic in the FPGA core will operate in this setup.

        set_jtag_timing_spec_for_timing_analysis
    }
}

proc set_default_quartus_fit_timing_directive { } {
    # A10 supports max 33.3Mhz clock
    set jtag_33Mhz_t_period 30

    create_clock -name {altera_reserved_tck} -period $jtag_33Mhz_t_period
[get_ports {altera_reserved_tck}]
    set_clock_groups -asynchronous -group {altera_reserved_tck}
    # Force fitter to place register driving TDO pin to be as close to
    # the JTAG controller as possible to maximize the slack outside of FPGA.
    set_max_delay -to [get_ports { altera_reserved_tdo } ] 0
}

proc set_jtag_timing_spec_for_timing_analysis { } {
    derive_clock_uncertainty

    # There are few possible JTAG chain configurations:
    # a. This device is the only device in the JTAG chain
    # b. This device is the first one in the JTAG chain
    # c. This device is in the middle of the JTAG chain
    # d. This device is the last one in the JTAG chain

    # No matter where the device is in the chain. The tck and tms are driven
    # directly from JTAG hardware.
    set_tck_timing_spec
    set_tms_timing_spec
}
```

```
# Depending on where the device is located along the chain, tdi can be
# either driven by blaster hw (a. b.) or driven by another device in the
# chain(c. d.)
# ---customize here---
set tdi_is_driven_by_blaster 1

if { $tdi_is_driven_by_blaster } {
set_tdi_timing_spec_when_driven_by_blaster
} else {
set_tdi_timing_spec_when_driven_by_device
}

# Depending on where the device is located along the chain, tdo can
# drive either blaster hw (a. d.) or another device in the chain (b. c.)
# ---customize here---
set tdo_drive_blaster 1

if { $tdo_drive_blaster } {
set_tdo_timing_spec_when_drive_blaster
} else {
set_tdo_timing_spec_when_drive_device
}

set_optional_ntrst_timing_spec

# Cut a few timing paths that are not related to JTAG logic in
# the FPGA core, such as security mode.
set_false_path -from [get_ports {altera_reserved_tdi}] -to [get_ports
{altera_reserved_tdo}]
if { [get_collection_size [get_registers -nowarn *~jtag_reg]] > 0 } {
set_false_path -from [get_registers *~jtag_reg] -to [get_ports
{altera_reserved_tdo}]
}
}

proc set_tck_timing_spec { } {
# USB Blaster 1 uses 6 MHz clock = 166.666 ns period
set ub1_t_period 166.666
# USB Blaster 2 uses 24 MHz clock = 41.666 ns period
set ub2_default_t_period 41.666
# USB Blaster 2 running at 16 MHz clock safe mode = 62.5 ns period
set ub2_safe_t_period 62.5

# ---customize here---
set tck_t_period $ub2_default_t_period

create_clock -name {altera_reserved_tck} -period $tck_t_period
[get_ports {altera_reserved_tck}]
set_clock_groups -asynchronous -group {altera_reserved_tck}
}

proc get_tck_delay_max { } {
set tck_blaster_tco_max 14.603
set tck_cable_max 11.627

# tck delay on the PCB depends on the trace length from JTAG 10-pin
# header to FPGA on board. In general on the PCB, the signal travels
# at the speed of ~160 ps/inch (1000 mils = 1 inch).
# ---customize here---
set tck_header_trace_max 0.5

return [expr $tck_blaster_tco_max + $tck_cable_max +
$tck_header_trace_max]
}

proc get_tck_delay_min { } {
```

```

set tck_blaster_tco_min 14.603
set tck_cable_min 10.00

# tck delay on the PCB depends on the trace length from JTAG 10-pin
# header to FPGA on board. In general on the PCB, the signal travels
# at the speed of ~160 ps/inch (1000 mils = 1 inch).
# ---customize here---
set tck_header_trace_min 0.1

return [expr $tck_blaster_tco_min + $tck_cable_min +
$tck_header_trace_min]
}

proc set_tms_timing_spec { } {
set tms_blaster_tco_max 9.468
set tms_blaster_tco_min 9.468

set tms_cable_max 11.627
set tms_cable_min 10.0

# tms delay on the PCB depends on the trace length from JTAG 10-pin
# header to FPGA on board. In general on the PCB, the signal travels
# at the speed of ~160 ps/inch (1000 mils = 1 inch).
# ---customize here---
set tms_header_trace_max 0.5
set tms_header_trace_min 0.1

set tms_in_max [expr $tms_cable_max + $tms_header_trace_max +
$tms_blaster_tco_max - [get_tck_delay_min]]
set tms_in_min [expr $tms_cable_min + $tms_header_trace_min +
$tms_blaster_tco_min - [get_tck_delay_max]]

set_input_delay -add_delay -clock_fall -clock altera_reserved_tck -max
$tms_in_max [get_ports {altera_reserved_tms}]
set_input_delay -add_delay -clock_fall -clock altera_reserved_tck -min
$tms_in_min [get_ports {altera_reserved_tms}]
}

proc set_tdi_timing_spec_when_driven_by_blaster { } {
set tdi_blaster_tco_max 8.551
set tdi_blaster_tco_min 8.551

set tdi_cable_max 11.627
set tdi_cable_min 10.0

# tms delay on the PCB depends on the trace length from JTAG 10-pin
# header to FPGA on board. In general on the PCB, the signal travels
# at the speed of ~160 ps/inch (1000 mils = 1 inch).
# ---customize here---
set tdi_header_trace_max 0.5
set tdi_header_trace_min 0.1

set tdi_in_max [expr $tdi_cable_max + $tdi_header_trace_max +
$tdi_blaster_tco_max - [get_tck_delay_min]]
set tdi_in_min [expr $tdi_cable_min + $tdi_header_trace_min +
$tdi_blaster_tco_min - [get_tck_delay_max]]

#TDI launches at the falling edge of TCK per standard
set_input_delay -add_delay -clock_fall -clock altera_reserved_tck -max
$tdi_in_max [get_ports {altera_reserved_tdi}]
set_input_delay -add_delay -clock_fall -clock altera_reserved_tck -min
$tdi_in_min [get_ports {altera_reserved_tdi}]
}

proc set_tdi_timing_spec_when_driven_by_device { } {
# TCO timing spec of tdo on the device driving this tdi input
# ---customize here---

```

```
set previous_device_tdo_tco_max 10.0
set previous_device_tdo_tco_min 10.0

# tdi delay on the PCB depends on the trace length from JTAG 10-pin
# header to FPGA on board. In general on the PCB, the signal travels
# at the speed of ~160 ps/inch (1000 mils = 1 inch).
# ---customize here---
set tdi_trace_max 0.5
set tdi_trace_min 0.1

set tdi_in_max [expr $previous_device_tdo_tco_max + $tdi_trace_max -
[get_tck_delay_min]]
set tdi_in_min [expr $previous_device_tdo_tco_min + $tdi_trace_min -
[get_tck_delay_max]]

#TDI launches at the falling edge of TCK per standard
set_input_delay -add_delay -clock_fall -clock altera_reserved_tck -max
$tdi_in_max [get_ports {altera_reserved_tdi}]
set_input_delay -add_delay -clock_fall -clock altera_reserved_tck -min
$tdi_in_min [get_ports {altera_reserved_tdi}]
}

proc set_tdo_timing_spec_when_drive_blaster { } {
set tdo_blaster_tsu 5.831
set tdo_blaster_th -1.651

set tdo_cable_max 11.627
set tdo_cable_min 10.0

# tdi delay on the PCB depends on the trace length from JTAG 10-pin
# header to FPGA on board. In general on the PCB, the signal travels
# at the speed of ~160 ps/inch (1000 mils = 1 inch).
# ---customize here---
set tdo_header_trace_max 0.5
set tdo_header_trace_min 0.1

set tdo_out_max [expr $tdo_cable_max + $tdo_header_trace_max +
$tdo_blaster_tsu + [get_tck_delay_max]]
set tdo_out_min [expr $tdo_cable_min + $tdo_header_trace_min -
$tdo_blaster_th + [get_tck_delay_min]]

#TDO does not latch inside the USB Blaster II at the rising edge of TCK,
# it actually is latched one half cycle later in packed mode
# (equivalent to 1 JTAG fall-to-fall cycles)
set_output_delay -add_delay -clock_fall -clock altera_reserved_tck -max
$tdo_out_max [get_ports {altera_reserved_tdo}]
set_output_delay -add_delay -clock_fall -clock altera_reserved_tck -min
$tdo_out_min [get_ports {altera_reserved_tdo}]
}

proc set_tdo_timing_spec_when_drive_device { } {
# TCO timing spec of tdi on the device driven by this tdo output
# ---customize here---
set next_device_tdi_tco_max 10.0
set next_device_tdi_tco_min 10.0

# tdi delay on the PCB depends on the trace length from JTAG 10-pin
# header to FPGA on board. In general on the PCB, the signal travels
# at the speed of ~160 ps/inch (1000 mils = 1 inch).
# ---customize here---
set tdo_trace_max 0.5
set tdo_trace_min 0.1

set tdo_out_max [expr $next_device_tdi_tco_max + $tdo_trace_max +
[get_tck_delay_max]]
set tdo_out_min [expr $next_device_tdi_tco_min + $tdo_trace_min +
[get_tck_delay_min]]
```

```

#TDO latches at the rising edge of TCK per standard
set_output_delay -add_delay -clock altera_reserved_tck -max $tdo_out_max
[get_ports {altera_reserved_tdo}]
set_output_delay -add_delay -clock altera_reserved_tck -min $tdo_out_min
[get_ports {altera_reserved_tdo}]
}

proc set_optional_ntrst_timing_spec { } {
# ntrst is an optional JTAG pin to asynchronously reset the device JTAG
controller.
# There is no path from this pin to any FPGA core fabric.
if { [get_collection_size [get_ports -nowarn {altera_reserved_ntrst}]] >
0 } {
set_false_path -from [get_ports {altera_reserved_ntrst}]
}
}

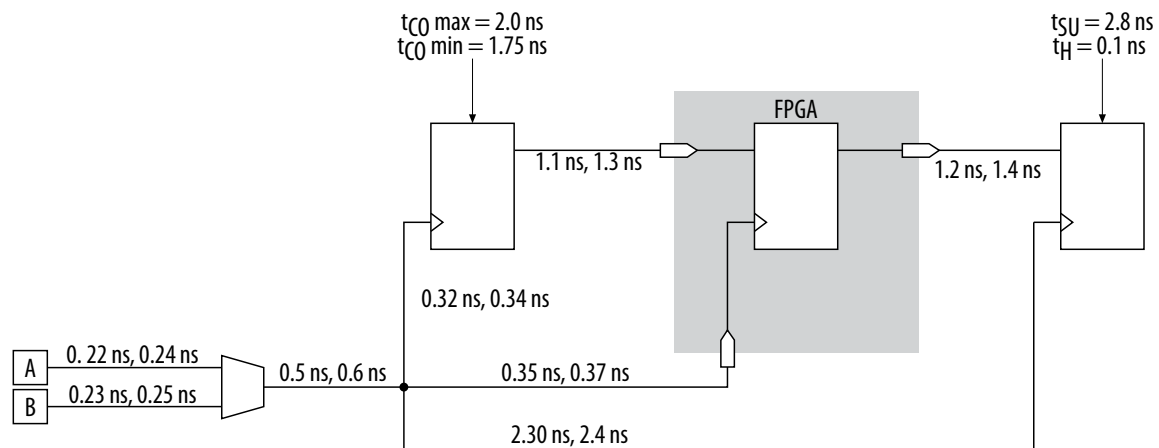
set_jtag_timing_constraints

```

Input and Output Delays with Multiple Clocks

These constraints provide both a primary and secondary clock. The primary clock acts as the main clock and the secondary clock acts as a redundant clock at a slower speed.

Figure 17: Simple Register-to-Register Design with Primary and Secondary Clocks



Example 22: Input Delay with Multiple Clocks

```

#####
# Create all the clocks #
#####
# Create variables for the clock periods.
set PERIOD_CLK_A 10.000
set PERIOD_CLK_B 7.000
# Create the clk_a clock which will represent the clock
# that routes to the FPGA.
create_clock \
-name {clk_a} \
-period \
$PERIOD_CLK_A \

```

```

[get_ports {clk}]
# Create the clk_b clock which will represent the clock
# that routes to the FPGA.
# Note the -add is needed because this is the second clock
# that has the same 'clk' port as a target.
create_clock \
  -name {clk_b} \
  -period $PERIOD_CLK_B \
  [get_ports {clk}] \
  -add
# Create a virtual clock which will represent the clock
# that routes to the external source device when clk_a is
# selected a the external mux.
create_clock \
  -name virtual_source_clk_a \
  -period $PERIOD_CLK_A
# Create a virtual clock which will represent the clock
# that routes to the external source device when clk_b is
# selected a the external mux.
create_clock \
  -name virtual_source_clk_b \
  -period $PERIOD_CLK_B
# Create a virtual clock which will represent the clock
# that routes to the external destination device when clk_a
# is selected a the external mux.
create_clock \
  -name virtual_dest_clk_a \
  -period $PERIOD_CLK_A
# Create a virtual clock which will represent the clock
# that routes to the external destination device when clk_b
# is selected a the external mux.
create_clock \
  -name virtual_dest_clk_b \
  -period $PERIOD_CLK_B
#####
# Cut clock transfers that are not valid #
#####
# Cut this because virtual_source_clk_b can not be clocking
# the external source device at the same time that clk_a is
# clocking the FPGA.
set_clock_groups -exclusive \
  -group {clk_a} \
  -group {virtual_source_clk_b}
# Cut this because virtual_source_clk_a can not be clocking
# the external source device at the same time that clk_b is
# clocking the FPGA.
set_clock_groups -exclusive \
  -group {clk_b} \
  -group {virtual_source_clk_a}
# Cut this because virtual_dest_clk_b can not be clocking
# the external destination device at the same time that
# clk_a is clocking the FPGA.
set_clock_groups -exclusive \
  -group {clk_a} \
  -group {virtual_dest_clk_b}
# Cut this because virtual_dest_clk_a can not be clocking
# the external destination device at the same time that
# clk_b is clocking the FPGA
set_clock_groups -exclusive \
  -group {clk_b} \
  -group {virtual_dest_clk_a}
#####
# Define the latency of all the clocks #
#####
# Since the Timing Analyzer does not know what part of the clock
# latency is common we must simply remove the common part
# from the latency calculation. For example when

```

```

# calculating the latency for virtual_source_clk_a we must
# ignore the 220ps,240ps route and the 500ps/600ps mux
# delay if we want to remove the common clock path
# pessimism.
#
# Define fastest and slowest virtual_source_clk_a path to
# the external source device.
set_clock_latency -source \
  -early .320 \
[get_clocks virtual_source_clk_a]
set_clock_latency -source \
  -late .340 \
  [get_clocks virtual_source_clk_a]
# Define fastest and slowest virtual_source_clk_b path to
# the external source device.
set_clock_latency -source \
  -early .320 \
  [get_clocks virtual_source_clk_b]
set_clock_latency -source \
  -late .340 \
  [get_clocks virtual_source_clk_b]
# Define fastest and slowest clk_a path to the FPGA.
set_clock_latency -source \
  -early .350 \
  [get_clocks clk_a]
set_clock_latency -source \
  -late .370 \
  [get_clocks clk_a]
# Define fastest and slowest clk_b path to the FPGA.
set_clock_latency -source \
  -early .350 \
  [get_clocks clk_b]
set_clock_latency -source \
  -late .370 \
  [get_clocks clk_b]
# Define fastest and slowest virtual_dest_clk_a path to
# the external destination device.
set_clock_latency -source \
  -early 2.3 \
  [get_clocks virtual_dest_clk_a]
set_clock_latency -source \
  -late 2.4 \
  [get_clocks virtual_dest_clk_a]
# Define fastest and slowest virtual_dest_clk_b path to
# the external destination device.
set_clock_latency -source \
  -early 2.3 \
  [get_clocks virtual_dest_clk_b]
set_clock_latency -source \
  -late 2.4 \
  [get_clocks virtual_dest_clk_b]
#####
# Constrain the input port 'datain' #
#####
# This Tco is the min/max value of the Tco for the
# external module.
set Tco_max 2.0
set Tco_min 1.75
# Td is the min/max trace delay of datain from the
# external device
set Td_min 1.1
set Td_max 1.3
# Calculate the input delay numbers
set input_max [expr $Td_max + $Tco_max]
set input_min [expr $Td_min + $Tco_min]
# Create the input delay constraints when clk_a is selected
set_input_delay \

```



```

        -clock virtual_source_clk_a \
        -max $input_max \
        [get_ports datain]
set_input_delay \
    -clock virtual_source_clk_a \
    -min $input_min \
    [get_ports datain]
# Create the input delay constraints when clk_b is selected
set_input_delay \
    -clock virtual_source_clk_b \
    -max $input_max \
    [get_ports datain] \
    -add_delay
set_input_delay \
    -clock virtual_source_clk_b \
    -min $input_min \
    [get_ports datain] \
    -add_delay
#####
# Constrain the output port 'dataout' #
#####
# This Tsu/Th is the value of the Tsu/Th for the external
# device.
set Tsu 2.8
set Th 0.1
# This is the min/max trace delay of dataout to the
# external device.
set Td_min 1.2
set Td_max 1.4
# Calculate the output delay numbers
set output_max [expr $Td_max + $Tsu]
set output_min [expr $Td_min - $Th]
# Create the output delay constraints when clk_a is
# selected.
set_output_delay \
    -clock virtual_dest_clk_a \
    -max $output_max \
    [get_ports dataout]
set_output_delay \
    -clock virtual_dest_clk_a \
    -min $output_min \
    [get_ports dataout]
# Create the output delay constraints when clk_b is
# selected.
set_output_delay \
    -clock virtual_dest_clk_b \
    -max $output_max \
    [get_ports dataout] \
    -add_delay
set_output_delay \
    -clock virtual_dest_clk_b \
    -min $output_min \
    [get_ports dataout] \
    -add_delay

```

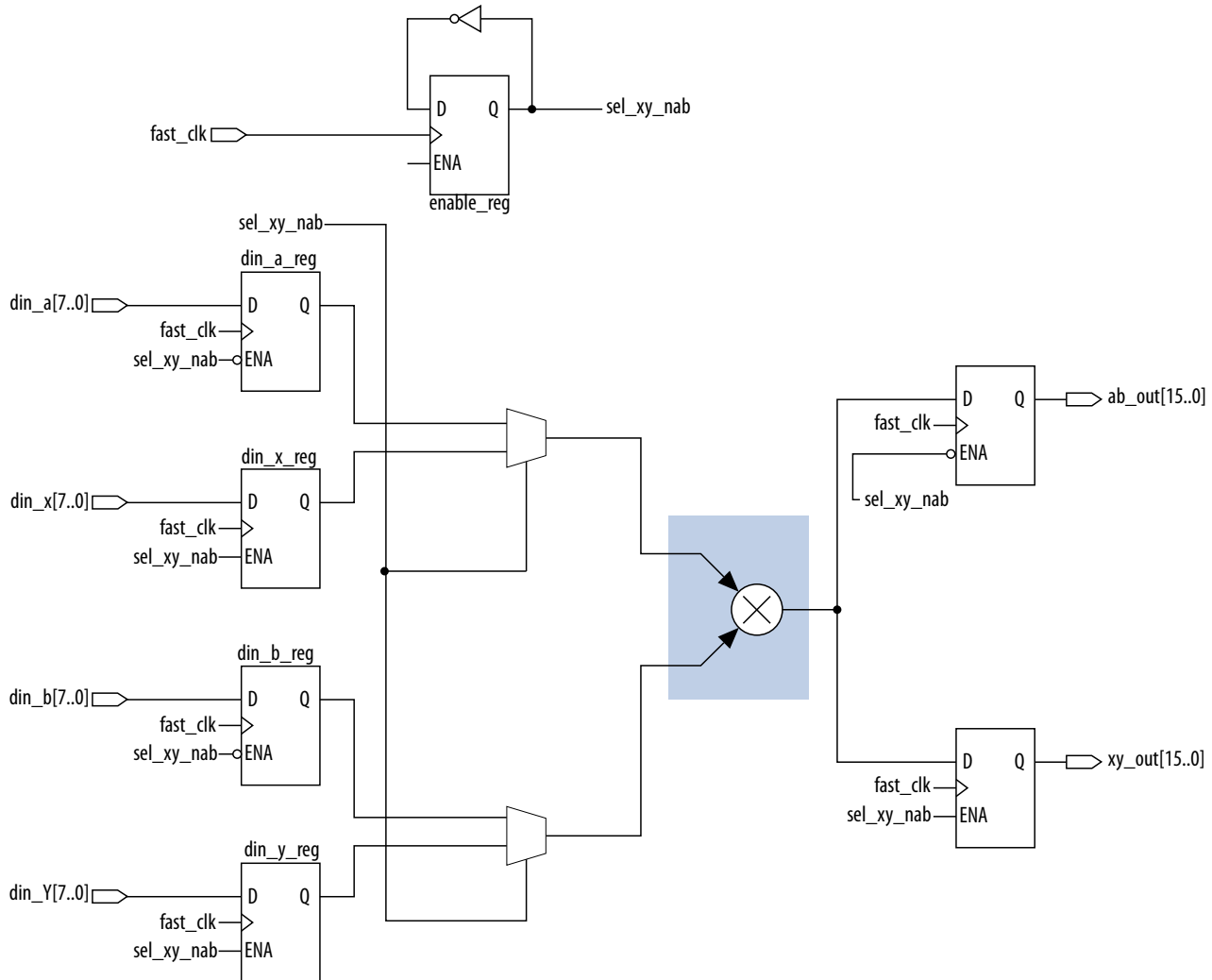
Clock Enable Multicycle

You can specify multicycles based on the enabled ports of registers with clock enabled multicycles. For example, the following figure shows a simple circuit where register `enable_reg` is used to create a registered enabled signal for registers `din_a_reg[7..0]`, `din_b_reg[7..0]`, `din_x_reg[7..0]`, `din_y_reg[7..0]`, `a_times_b`, and `x_times_y`.

The `enable_reg` register generates an enable pulse that is two times the clock period of the register. Therefore, a multicycle exception must be applied for the correct analysis. You must apply a multicycle

setup of 2 and a multicycle hold of 1 to the enable-driven register fed by the register `enable_reg`. The multicycle exception is applied only to register-to-register paths where the destination register is controlled by `enable_reg`. To accomplish this, you can apply the `set_multicycle_path` exception to all enable-driven registers. This can be tedious, because all enable-driven registers must be specified. You can also use the combination of `set_multicycle_path` and `get_fanouts`.

Figure 18: Clock Enable Multicycle Design



Example 23: Clock Enable Multicycle Constraints

```
#Setup multicycle of 2 to enabled driven destination registers
set_multicycle_path 2 -to [get_fanouts [get_pins enable_reg|q] \
-through [get_pins -hierarchical *|ena]] -end -setup
```

The target of the `set_multicycle_path` exception is limited to all fan-outs of the `enable_reg` register that feed the enable port of a register. Use the following option:

```
[get_fanouts [get_pins enable_reg|q] -through [get_pins -hierarchical *|ena]]
```

The setup and hold relationships start at the `enable_reg` register and end at any enable-driven register at 2 and 1, respectively.

Related Information

[The Intel Quartus Prime Timing Analyzer](#)

For more information about multicycle exceptions refer to the Timing Analyzer Chapter in volume 3 of the *Intel Quartus Prime Handbook*.

Intel Quartus Prime Timing Analyzer Cookbook Document Revision History

Document Version	Intel Quartus Prime Version	Changes
2018.11.12	17.1.0	Corrected error in "Simple Register-to-Register Design with Primary and Secondary Clocks" diagram.
2017.11.21	17.1.0	Updated JTAG Signal Constraints sample code to include option to reset device JTAG controller asynchronously.
2017.11.02	17.1.0	Applied Intel rebranding.
2016.10.15	16.1.0	Updated the Multicycle Exceptions topic.
2016.02.15	16.0.0	<ul style="list-style-type: none"> Updated the JTAG Signals SDC example Added a section on Unateness of the OE in a packed FF Made corrections to the Clock Enable Multicycle topic. Corrected errors in example scripts and artwork.
2011.01.15	11.0.0	<ul style="list-style-type: none"> Added new sections Toggle Register Generated Clock and Tri-State Outputs. Minor text edits.
2010.03.15	10.0.0	Corrected errors in example script.
2008.08.15	8.1.0	Initial release of document.